

# POWER WINDOWS

1994 Volvo 960

1994 ACCESSORIES/SAFETY EQUIPMENT  
Volvo Power Windows

960

## DESCRIPTION & OPERATION

960 is equipped with power windows. Power window switches are located on respective door panel.

## DIAGNOSIS & TESTING

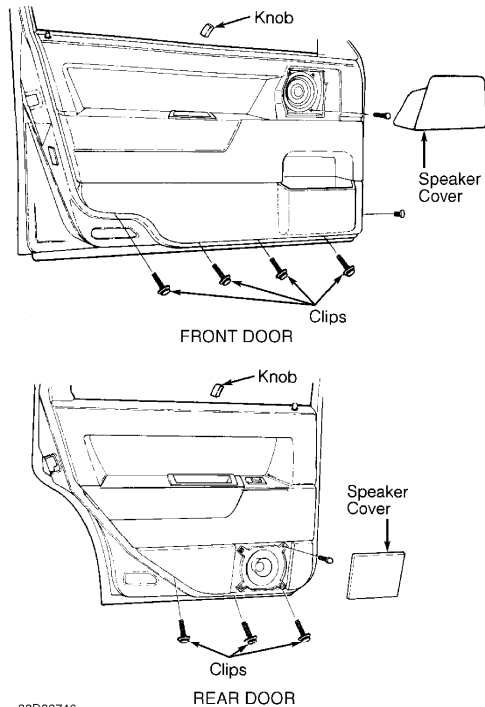
NOTE: Power window diagnosis and testing is not supplied by manufacturer.

## REMOVAL & INSTALLATION

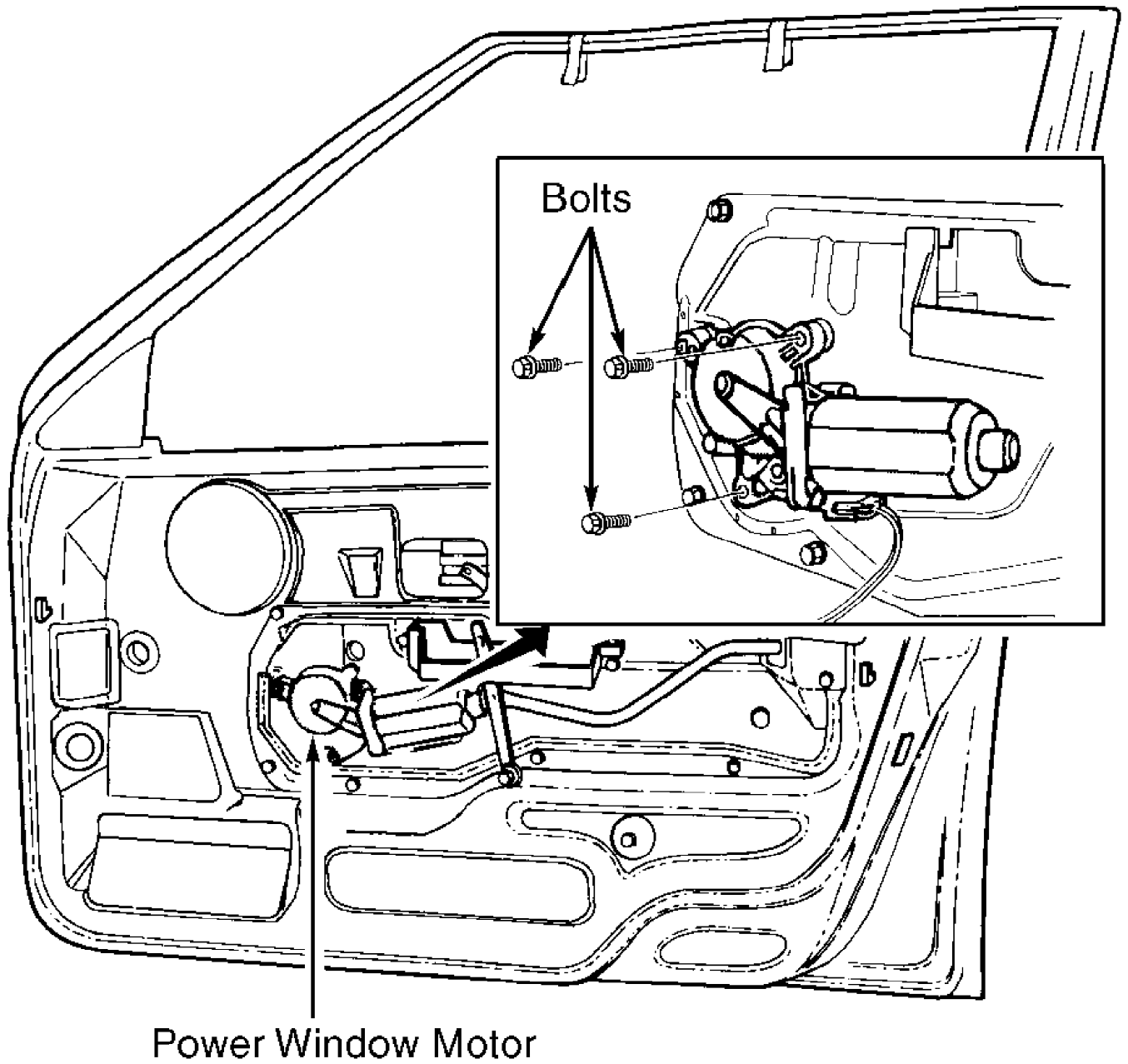
### POWER WINDOW MOTOR

#### Removal & Installation

Raise window up all the way and secure in position with duct tape. Remove door trim panel See Fig. 1. Remove plastic cover. Remove power window motor retaining bolts. See Fig. 2. Disconnect motor electrical connector. Lift out motor. To install, reverse removal procedure.



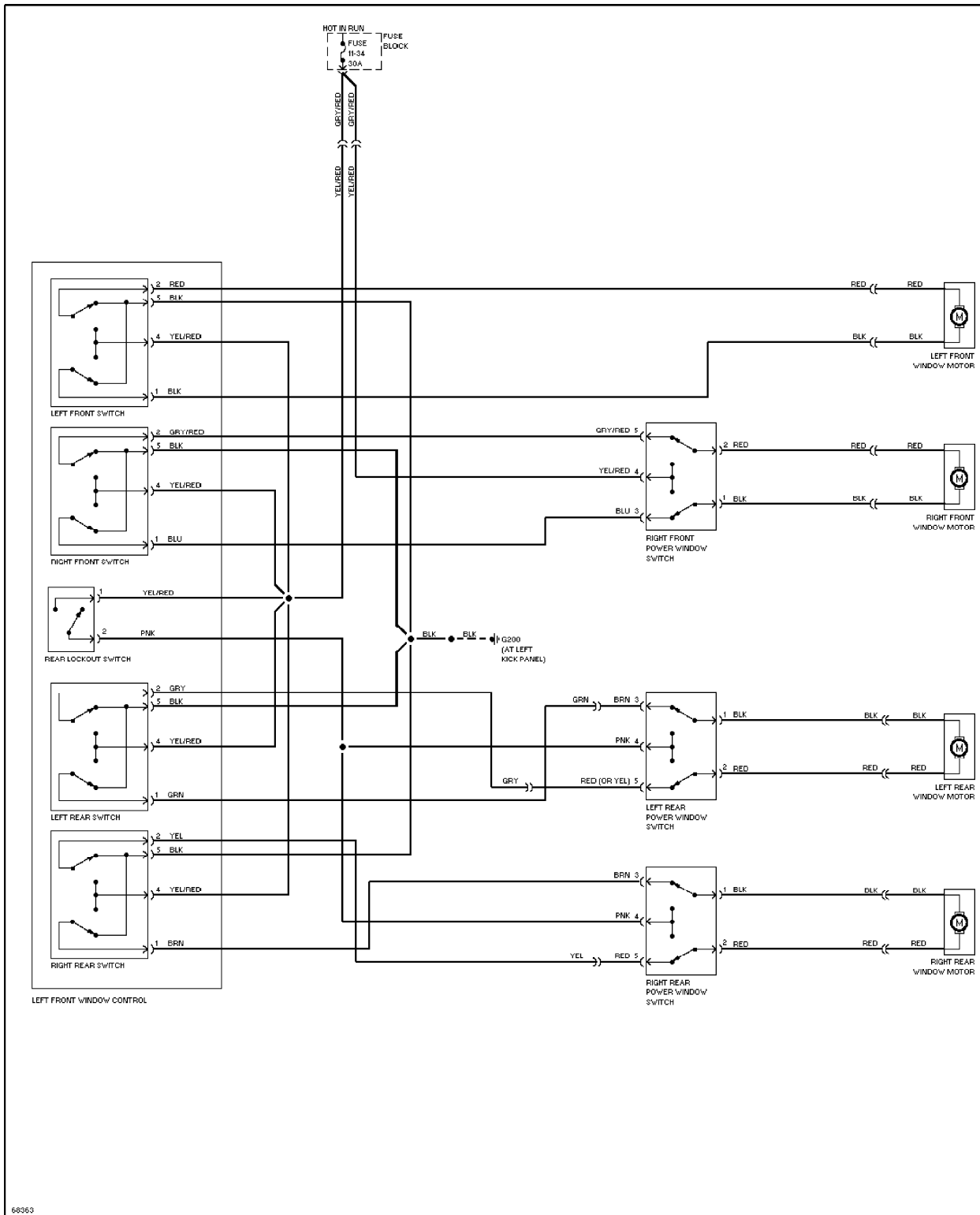
93D82746  
Fig. 1: Removing Door Panel (960)  
Courtesy of Volvo Cars of North America



93F82748

Fig. 2: Removing Power Window Motor (960)  
Courtesy of Volvo Cars of North America

**WIRING DIAGRAM**



68963

Fig. 3: Power Windows Wiring Diagram (960)